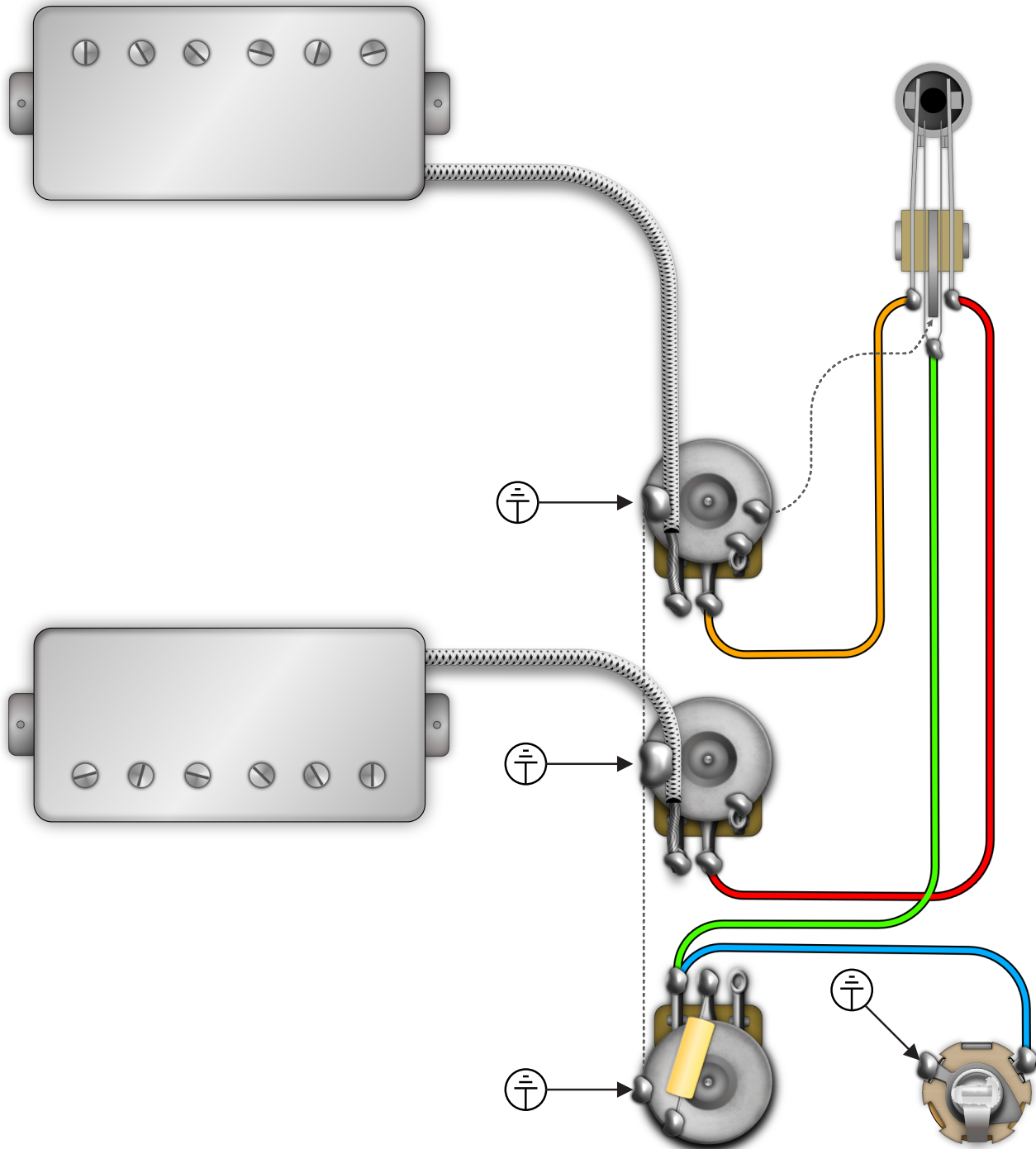


## GIBSON EXPLORER WIRING DIAGRAM

Two Humbuckers, Two Volumes, One Tone  
(1) 3-Way Toggle Switch  
(1) Output Jack

⊕ = Ground Connection



No Ground Jumpers are depicted in this diagram. Make sure all metal is properly grounded. See an experienced tech if problems exist.