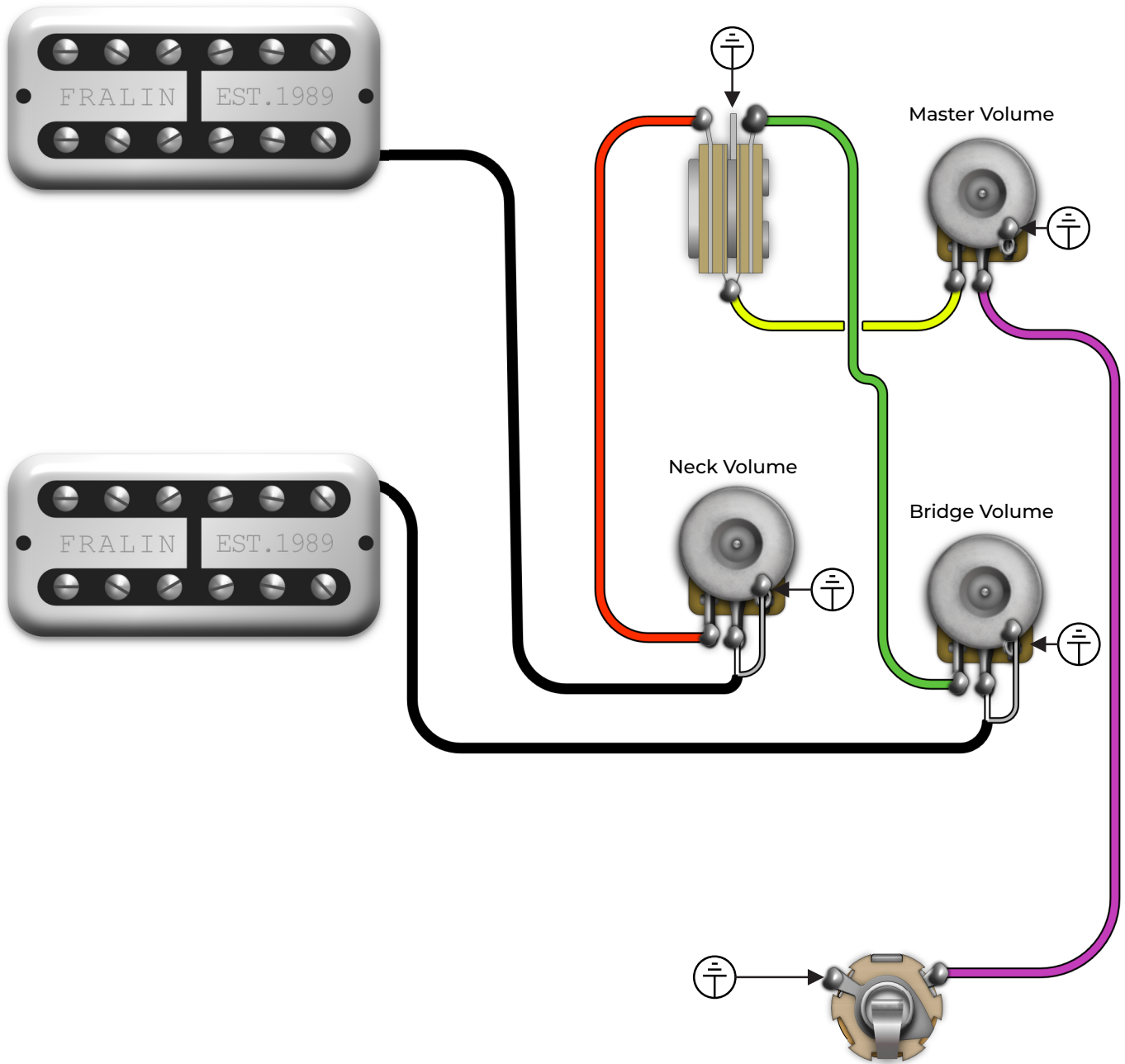


GRETSCH COUNTRY GENTLEMAN

With Neck Volume / Bridge Volume / Master Volume

⊕ = Ground Connection



No Ground Jumpers are depicted in this diagram. Make sure all metal is properly grounded. See an experienced tech if problems exist.